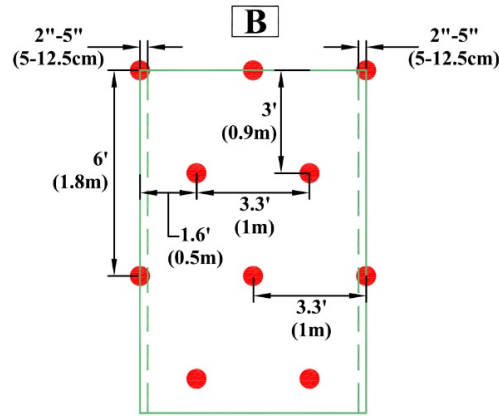
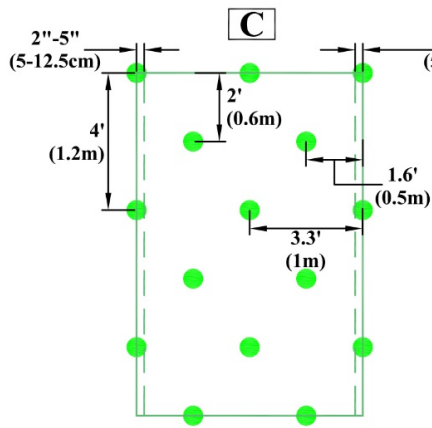


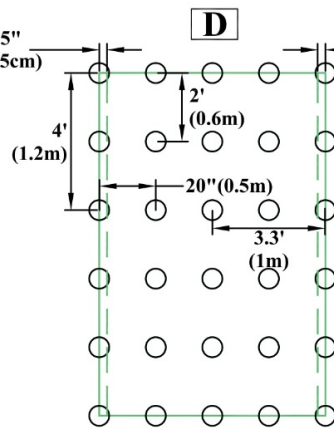
0.7 Staples per SQ.YD.
(1 pin per sq.m)



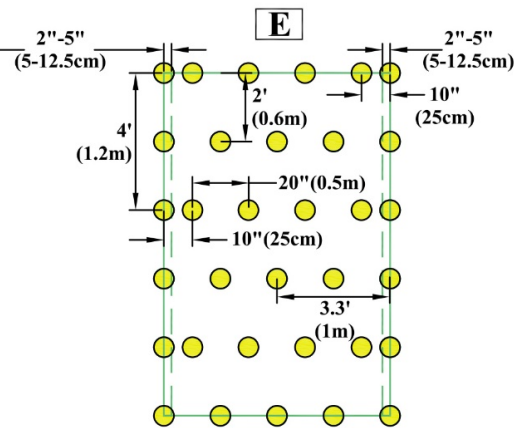
1.15 Staples per SQ.YD.
(2 pins per sq.m)



1.7 Staples per SQ.YD.
(3 pins per sq.m)



3.4 Staples per SQ.YD.
(4 pins per sq.m)



3.75 Staples per SQ.YD.
(5 pins per sq.m)

STAPLE PATTERN GUIDE

- 4:1 Slopes (A)
- 3:1 Slopes (B)
- 2:1 Slopes (C)
- 1:1 & Steeper Slopes (D)
- Medium/High Flow Channel (D)
- High Flow Channel And Shoreline (E)

NOTES:

* Use ECMSD[®] for more accurate staple pattern selection.

Drawing Not to Scale

Drawn on: 5-4-17

Disclaimer: The information presented herein is general design information only.

For specific applications, consult an independent professional for further design guidance.

